

Features

- Robust IP65 aluminum front bezel
- Aesthetic ultra-thin bezel for seamless panel mount installation
- Wide range 9V~36V DC input
- HDMI / DisplayPort / VGA flexible video input solution
- Projected capacitive multi-touch and resistive single touch options
- Wide temperature support



Model		DM-F65A	DM-F12A	DM-F15A	DM-F17A
LCD	LCD Display	6.5" (4:3)	12" (4:3)	15" (4:3)	17" (5:4)
	Max. Resolution	640 (W) x 480 (H)	1024 (W) x 768 (H)	1024 (W) x 768 (H)	1280 (W) x 1024 (H)
	Brightness (cd/m ²)	800	600	400	350
	Contrast Ratio	600:1	700 : 1	700 : 1	1000 : 1
	LCD Color	16.2M	16.2M	16.2M	16.7M
	Pixel Pitch (mm)	0.207 x 0.207	0.24 x 0.24	0.29 x 0.29	0.26 x 0.26
	Viewing Angle (H-V)	160° / 140°	160° /140°	160° / 140°	170° / 160°
	Backlight MTBF (Hrs)	50000	50000	50000	50000
Touchscreen & Controller		5-wire resistive single touch window/ Penmount 6000	R5-wire resistive single touch window/ Penmount 6000 2-point projected capacitive touch window/ EETI EXC7200		
I/O Ports		1 x VGA (DB-15) 1 x DVI 1 x USB 2.0 (touch) 1 x RS-232 (reserved for resistive touch ATO) 1 x Lockable 12V DC jack	1 x VGA (DB-15) 1 x HDMI 1 x DisplayPort 1.1 1 x USB 2.0 (touch) 1 x RS-232 (reserved for resistive touch ATO) 1 x Lockable 9V-36V DC jack 1 x 9V-36V terminal block		
OSD	OSD Button	5-key membrane OSD keypad	7-key membrane OSD keypad		
	Smart OSD Software	Smart OSD Software	Smart OSD Software		
Physical	Construction Material	Aluminum front frame and sheet metal rear cover	Aluminum front frame and sheet metal rear cover		
	Mounting	Panel Mount/ Rack Mount 75 x 75 VESA Mount	Panel Mount/ Rack Mount/ 100 x 100 VESA Mount		
	Enclosure Color	Black C			
	Dimensions (mm)	191.8 x 154.36 x 42.88	262.2 x 322.2 x 40.5	303 x 378.5 x 43.2	341.4 x 408.4 x 49.3
	Cutout Dimensions (mm)	180 x 140	244.8 x 304.8	285.6 x 361.1	324 x 391
	Weight (Net/Gross)	1 / 1.9	2.7 / 4.9	3.5 / 5.5	4.4 / 7.1
Environment	Operating Temperature (with air flow)	-20°C ~ 60°C			
	Storage Temperature	-20°C ~ 70°C			
	Humidity	10% to 95% (non-condensing)			
	IP Level	IP 65 compliant front panel			
	Safety and EMC	CE & FCC certified			
Power	Power Adapter	63040-010036-121-RS	60W 12V output with lockable jack (63040-010060-120-RS , optional)		
	Power Input	12V DC	9V~36V DC		



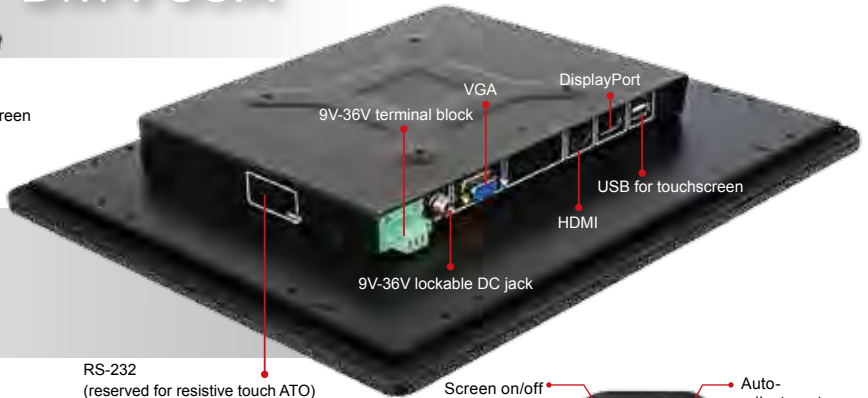
Features

- Robust IP65 aluminum front bezel
- Aesthetic ultra-thin bezel for seamless panel mount installation
- Wide range 9V~36V DC input
- HDMI / DisplayPort / VGA flexible video input solution
- Projected capacitive multi-touch and resistive single touch options
- Wide temperature support

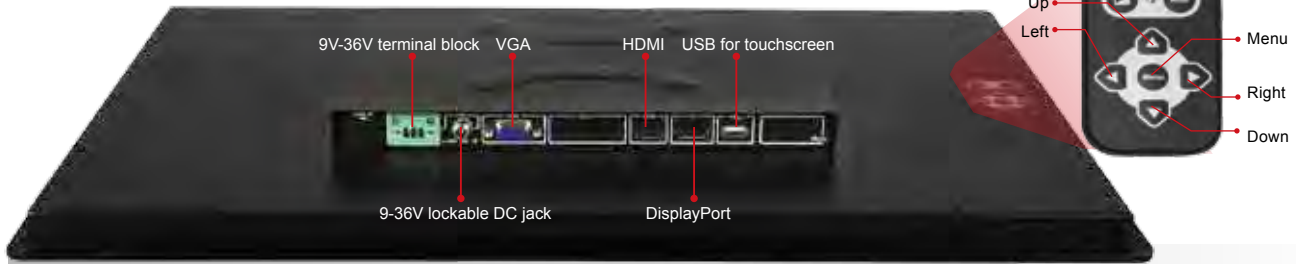
Model		DM-F19A	DM-F22A	DM-F24A
LCD	LCD Display	19" (4:3)	21.5" (16:9)	24" (16:9)
	Max. Resolution	1280 (W) x 1024 (H)	1920 (W) x 1080 (H)	1920 (W) x 1080 (H)
	Brightness (cd/m ²)	350	250	250
	Contrast Ratio	1000 : 1	1000 : 1	3000 : 1
	LCD Color	16.7M	16.7M	16.7M
	Pixel Pitch (mm)	0.294 x 0.294	0.25 x 0.25	0.28 x 0.28
	Viewing Angle (H-V)	170° / 160°	170° / 160°	178°/178°
	Backlight MTBF (Hrs)	50000	30000	30000
Touchscreen & Controller		5-wire resistive single touch window/ Penmount 6000 2-point projected capacitive touch window/ EETI EXC7200	2-point projected capacitive touch window/ EETI EXC7200	2-point projected capacitive 2-point touch window/ EETI EXC7200
I/O Ports		1 x VGA (DB-15) 1 x HDMI 1 x DisplayPort 1.1 1 x USB 2.0 (touch) 1 x RS-232 (reserved for resistive touch ATO) 1 x Lockable 9V-36V DC jack 1 x 9V-36V terminal block		
OSD	OSD Button	7-key membrane OSD keypad		
	Smart OSD Software	Smart OSD Software		
Physical	Construction Material	Aluminum front frame and sheet metal rear cover		
	Mounting	Panel Mount 100 x 100 VESA Mount	Panel Mount/ 100 x 100 VESA Mount	
	Enclosure Color	Black C		
	Dimensions (mm)	372.4 x 447.4 x 49.57	358.4 x 550.4 x 49.1	382 x 600 x 49.4
	Cutout Dimensions (mm)	428 x 353	340 x 532	358.6 x 576.6
	Weight (Net/Gross)	5.4 / 8.4	6.3 / 9.6	7.6 / 10.9
Environment	Operating Temperature (with air flow)	-20°C ~ 60°C	-10°C ~ 50°C	
	Storage Temperature	-20°C ~ 70°C	-20°C ~ 60°C	
	Humidity	10% to 95% (non-condensing)		
	IP Level	IP 65 compliant front panel		
	Safety and EMC	CE & FCC certified		
Power	Power Adapter	60W 12V output with lockable jack (63040-010060-120-RS , optional)		
	Power Input	9V~36V DC		



DM-F65A



DM-F12A/15A



DM-F17A/19A/22A/24A

Options

Item	DM-F65A	DM-F12A	DM-F15A	DM-F17A	DM-F19A	DM-F22A	DM-F24A
Power Adapter	N/A	63040-010060-120-RS					
Arm	N/A	ARM-11-RS	ARM-31-RS	ARM-31-RS	ARM-31-RS	ARM-31-RS	ARM-31-RS
Stand	STAND-B08	STAND-A12-RS STAND-C12-R10	STAND-A19-RS STAND-C19-R10 STAND-A21-R10	STAND-A19-RS STAND-C19-R10 STAND-A21-R10	STAND-A19-RS STAND-C19-R10 STAND-A21-R10	STAND-A19-RS STAND-C19-R10 STAND-A21-R10	STAND-A19-RS STAND-C19-R10 STAND-A21-R10
Wall Mount Kit	AFLWK-12	WK-190MS-R10					
Panel Mount Kit	FPK-04-R10	FPK-01-R10	FPK-01-R10	FPK-01-R10	FPK-02-R10	FPK-02-R10	FPK-03-R10
Rack Mount Kit	FRK65-R10	FRK12-R10	FRK15-R10	FRK17-R10	FRK19-R10	N/A	
Cable Cover	N/A	N/A	DM-F-CC01-R10			DM-F-CC02-R10	
RS-232 Touch Cable Kit	DM-F-COMKIT-R10						N/A
HDMI Cable	N/A	32012-000100-200-RS					
DisplayPort Cable	N/A	32004-000200-100-RS					

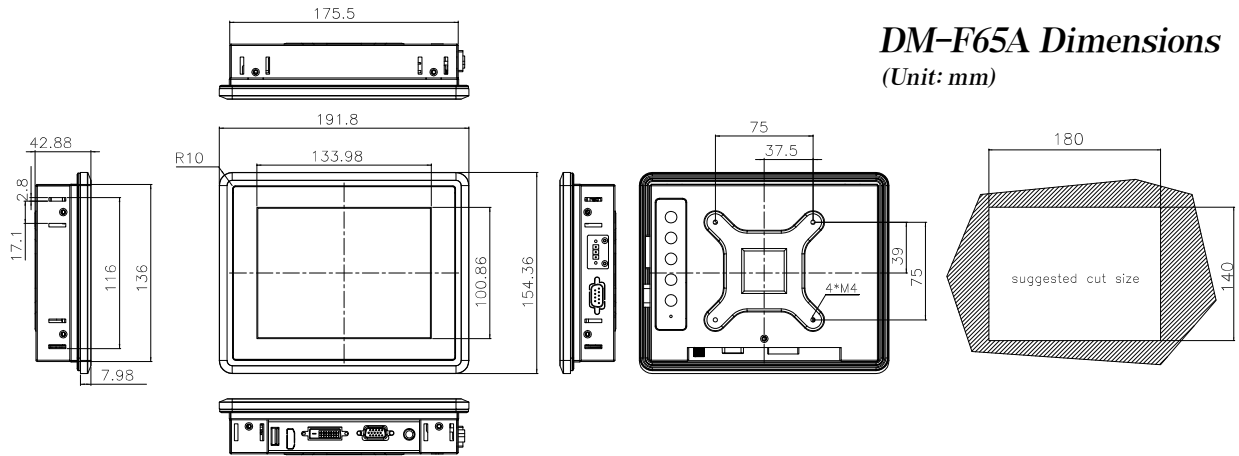
Packing List

Item	P/N	Q'ty	Description
Utility CD		1	Drivers and user manual
Touch Pen	43125-0002C0-00-RS	1	Resistive touch only
USB Cable	32001-006100-100-RS	1	For touchscreen
VGA Cable	32000-036200-RS	1	

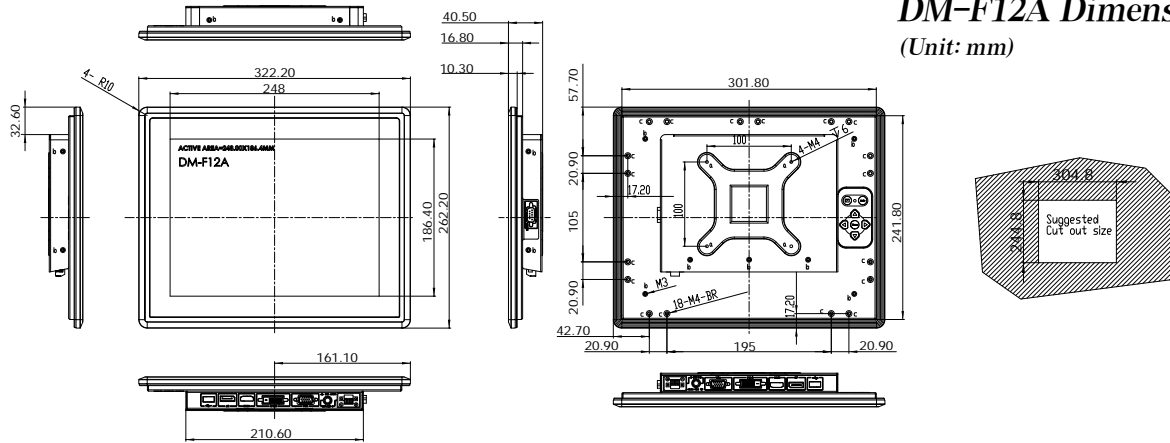
Ordering Information

PN	Description
DM-F65A/R-R10	6.5" 800 cd/m ² high-luminance VGA LCD monitor with aluminum die casting front panel, black color, USB resistive touchscreen, R10
DM-F12A/R-R11	12" 600 cd/m ² XGA LCD monitor, aluminum front panel, black color, W/ USB resistive touchscreen, 9 ~36V DC input, R11
DM-F12A/PC-R11	12" 600 cd/m ² XGA LCD monitor, aluminum front panel, black color, W/ USB projected capacitive touchscreen, 9 ~36V DC input, R11
DM-F15A/R-R11	15" 400 cd/m ² XGA LCD monitor, aluminum front panel, black color, W/ USB resistive touchscreen, 9 ~36V DC input, R11
DM-F15A/PC-R11	15" 400 cd/m ² XGA LCD monitor, aluminum front panel, black color, W/ USB projected capacitive touchscreen, 9 ~36V DC input, R11
DM-F17A/R-R11	17" 350 cd/m ² SXGA LCD monitor, aluminum front panel, black color, W/ USB resistive touchscreen, 9 ~36V DC input, R11
DM-F17A/PC-R11	17" 350 cd/m ² SXGA LCD monitor, aluminum front panel, black color, W/ USB projected capacitive touchscreen, 9 ~36V DC input, R11
DM-F19A/R-R10	19" 250 cd/m ² SXGA LCD monitor, aluminum die casting front panel, black color, W/ USB resistive touchscreen, 9 ~36V DC input, R10
DM-F19A/PC-R10	19" 250 cd/m ² SXGA LCD monitor, aluminum die casting front panel, black color, W/ USB projected capacitive touchscreen, 9 ~36V DC input, R10
DM-F22A/PC-R11	21.5" 250 cd/m ² FHD LCD monitor, aluminum front panel, black color, W/ USB projected capacitive touchscreen, 9 ~36V DC input, R11
DM-F24A/PC-R10	24" 250 cd/m ² FHD LCD monitor, aluminum front panel, black color, W/ USB projected capacitive touchscreen, 9 ~36V DC input, R10

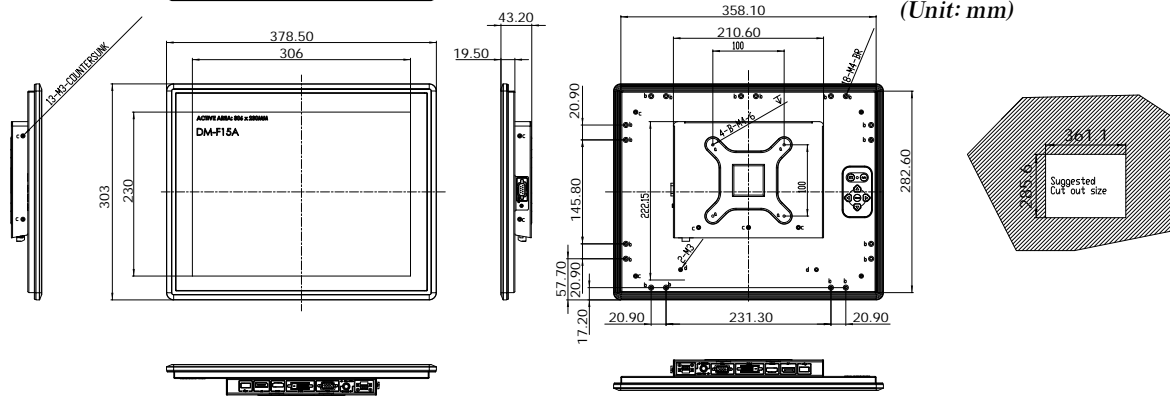
DM-F65A Dimensions (Unit: mm)



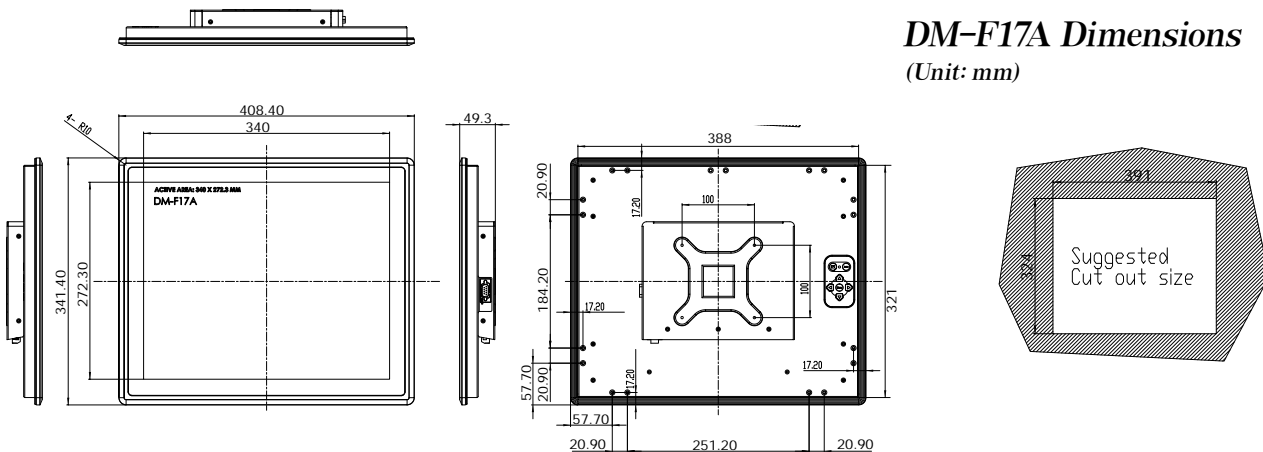
DM-F12A Dimensions (Unit: mm)

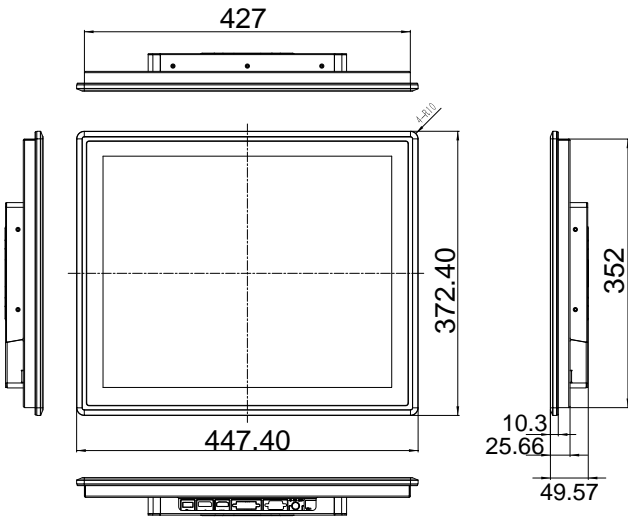


DM-F15A Dimensions (Unit: mm)



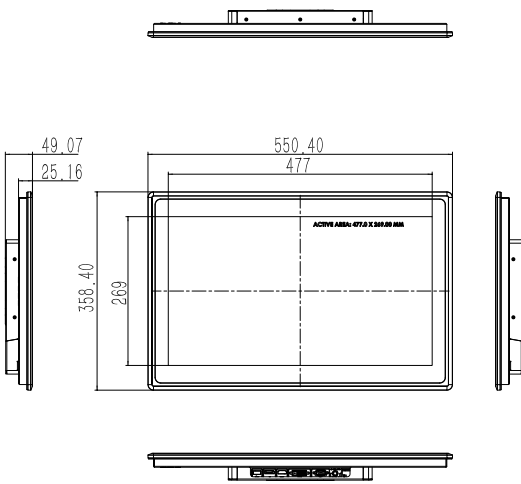
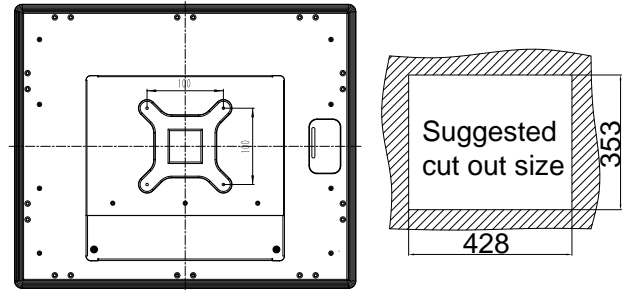
DM-F17A Dimensions (Unit: mm)





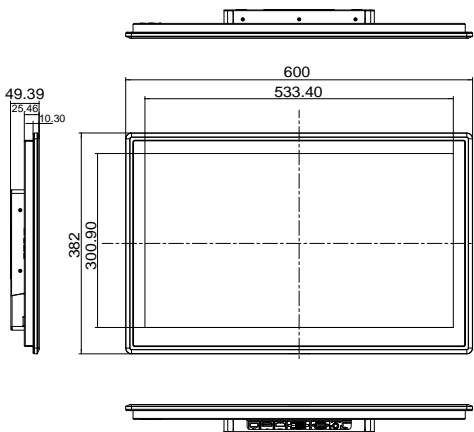
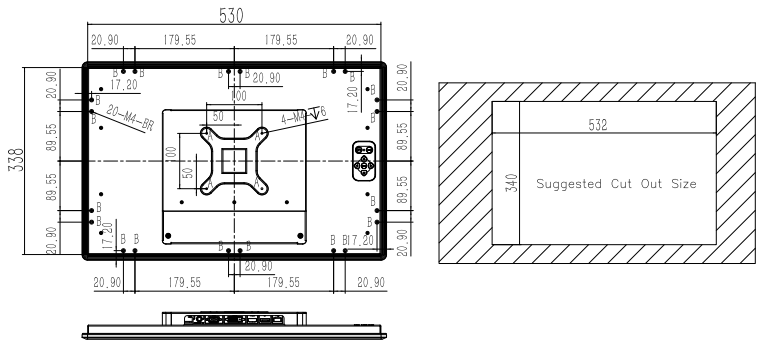
DM-F19A Dimensions

(Unit: mm)



DM-F22A Dimensions

(Unit: mm)



DM-F24A Dimensions

(Unit: mm)

